

## ASSEMBLING INSTRUCTION

### CRASH PAD KIT CF MOTO 800NK (23)

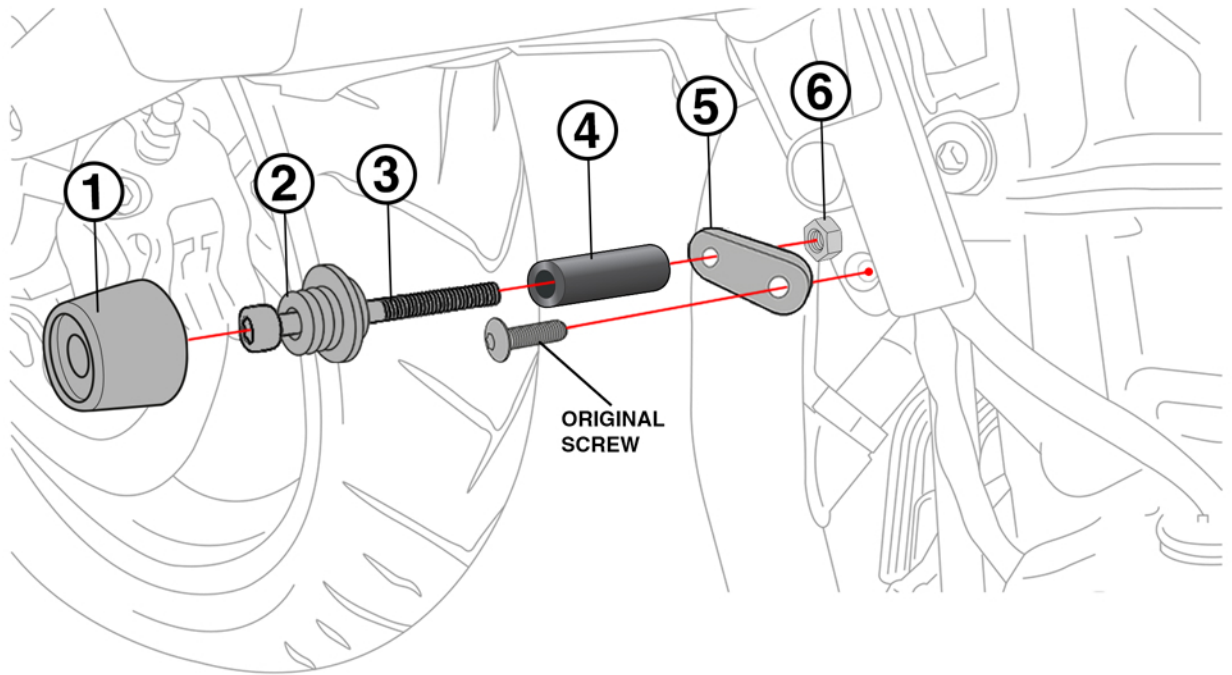
**CFK8101**

[WWW.BARRACUDAMOTO.COM](http://WWW.BARRACUDAMOTO.COM)

## LEGEND

- |   |   |
|---|---|
| 1. CRASH PAD HEAD<br>TESTA TAMPONE<br>CABEZA CRASH PAD<br>KOPF CRASH PAD<br>TÊTE DE CRASH PAD   | 4. SPACER TUBE H. 105<br>DISTANZIALE H. 105<br>DISTANCIADOR H. 105<br>Distanzrohr H. 105<br>ESPACEUR H. 105                         |
| 2. BASE PAD<br>BASE TAMPONE<br>BASE DE TOPE<br>STURZPAD BASIS<br>BASE TAMPON  | 5. SPECIFIC BRACKET 70MM<br>STAFFA SPECIFICA 70MM<br>SOPORTE ESPECIFICO 70MM<br>SPEZIFISCHE KLAMMER 70MM<br>SUPPORT SPÉCIFIQUE 70MM |
| 3. HEX HEAD SCREW M10X140<br>VITE TESTA ESAGONALE M10X140<br>TORNILLO DE CABEZA HEXAGONAL M10X140<br>SECHSKANTSCHRAUBE M10X140<br>VIS À TÊTE HEXAGONALE M10X140 | 6. NUT Ø10<br>DADO Ø10<br>TUERCA Ø10<br>MUTTER Ø10<br>ÉCROU Ø10   |

### LEFT SIDE



### RIGHT SIDE

